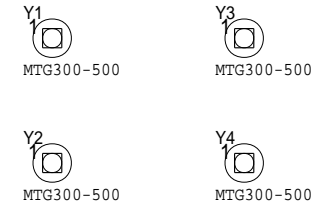
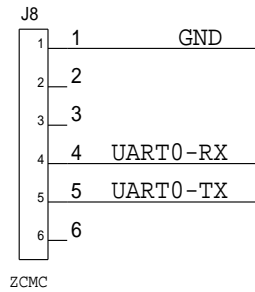


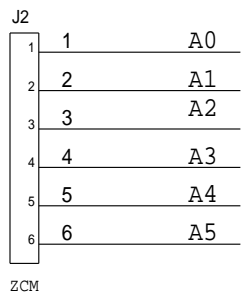
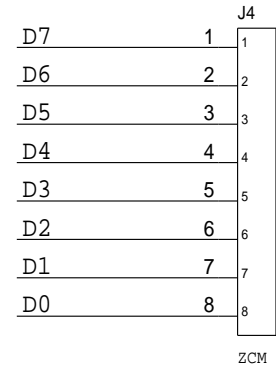
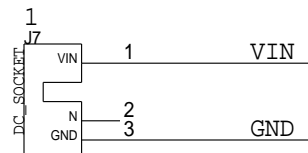
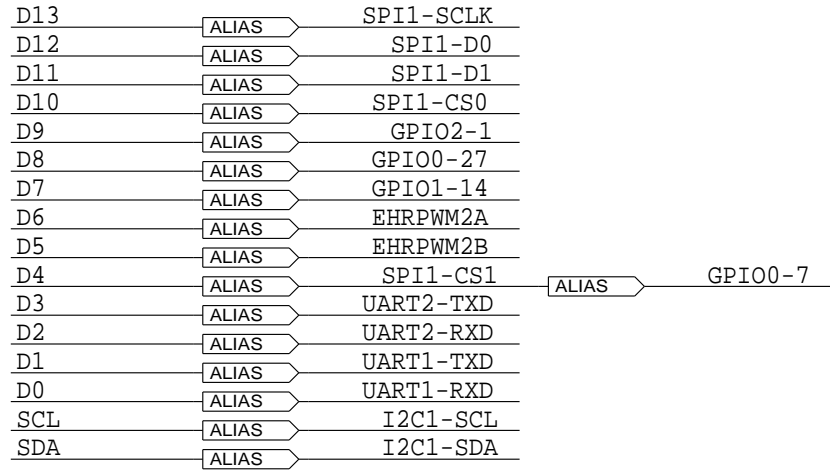
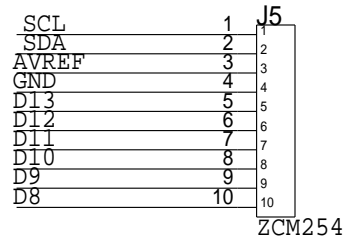
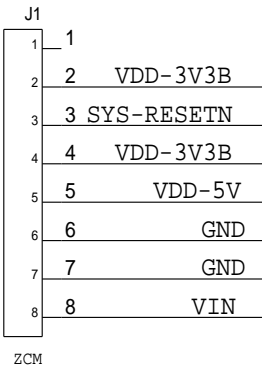
# BB BOARD PINMAP

J3		GND	
GND	2	1	GND
MMC1_DAT6	4	3	MMC1_DAT7
MMC1_DAT2	6	5	MMC1_DAT3
TIMER4	8	7	TIMER7
TIMER5	10	9	TIMER6
GPIO1-13	12	11	GPIO1-12
EHRPWM2B	14	13	GPIO0-26
GPIO1-15	16	15	GPIO1-14
GPIO0-27	18	17	GPIO2-1
EHRPWM2A	20	19	MMC1_CMD
MMC1_CLK	22	21	MMC1_DAT5
MMC1_DAT4	24	23	MMC1_DAT1
MMC1_DAT0	26	25	GPIO1-29
LCD_VSYNC	28	27	LCD_PCLK
LCD_HSYNC	30	29	LCD_DE
LCD_DATA14	32	31	LCD_DATA15
LCD_DATA13	34	33	LCD_DATA11
LCD_DATA12	36	35	LCD_DATA10
LCD_DATA8	38	37	LCD_DATA9
LCD_DATA6	40	39	LCD_DATA7
LCD_DATA4	42	41	LCD_DATA5
LCD_DATA2	44	43	LCD_DATA3
LCD_DATA0	46	45	LCD_DATA1

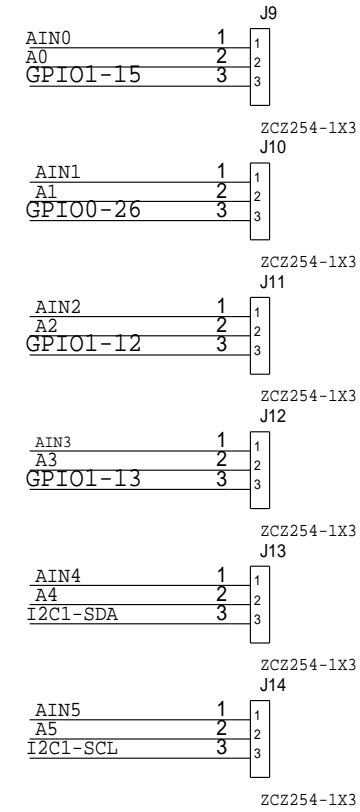
J6		GND	
GND	2	1	GND
VDD-3V3B	4	3	VDD-3V3B
VDD-5V	6	5	VDD-5V
SYS-5V	8	7	SYS-5V
PWR-BUT	10	9	SYS-RESETN
UART4-RXD	12	11	GPIO1-28
UART4-TXD	14	13	EHRPWM1A
GPIO1-16	16	15	EHRPWM1B
I2C1-SCL	18	17	I2C1-SDA
I2C2-SCL	20	19	I2C2-SDA
UART2-TXD	22	21	UART2-RXD
GPIO1-17	24	23	UART1-TXD
GPIO3-21	26	25	UART1-RXD
GPIO3-19	28	27	SPI1-CS0
SPI1-D0	30	29	SPI1-D1
SPI1-SCLK	32	31	VDD-ADC
AIN4	34	33	GND
AIN6	36	35	AIN5
AIN2	38	37	AIN3
AIN0	40	39	AIN1
CLKOUT2	42	41	GPIO0-7
GND	44	43	GND
GND	46	45	GND



# ARDUINO PINMAP

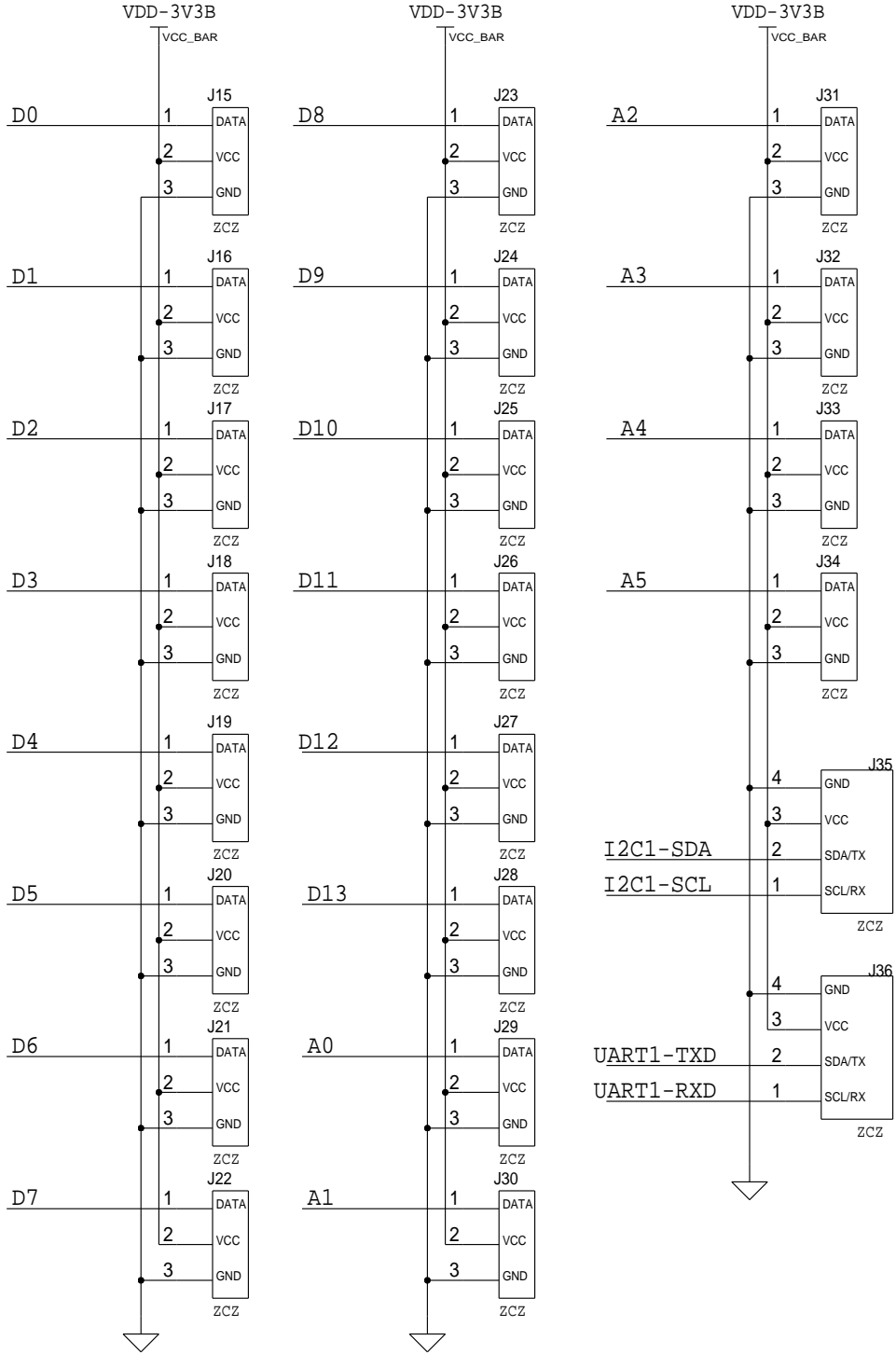


# IO JUMPERS



TITLE:	DATE:
ENGINEER:	PAGE:

# EB INTERFACE



TITLE:	DATE:
ENGINEER:	PAGE: