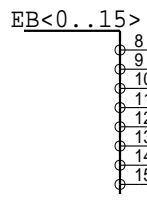
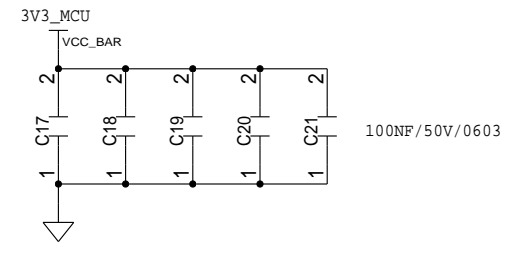
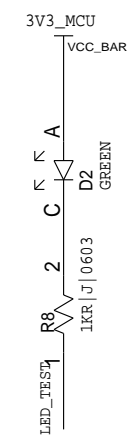
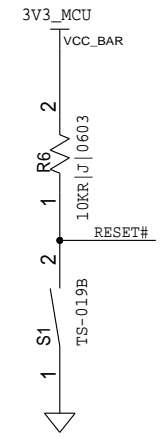
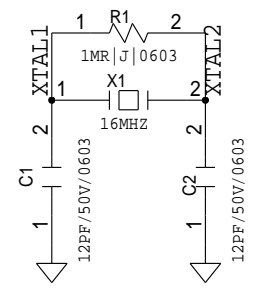
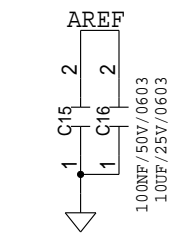


REVISIONS				
ZONE	LTR	DESCRIPTION	DATE	APPROVED

VCC=3V3_MCU;AVCC=3V3_MCU

U1		DBH<7..0>	
AREF	98	PA0	78 0
RESET#	30	PA1	77 1
XTAL2	33	PA2	76 2
XTAL1	34	PA3	75 3
		PA4	74 4
		PA5	73 5
		PA6	72 6
		PA7	71 7
		PB0/SS#	19 SS#
LCD_RST	51	PB1/SCK	20 SCK
LCD_CS	52	PB2/MOSI	21 MOSI
LCD_WR	70	PB3/MISO	22 MISO
		PB4	23
		PB5	24 RF_CS#
SD_NSS	1	PB6	25 RF_CE
		PB7	26 LED_TEST
		PC0	53 0
RX2	12	PC1	54 1
TX2	13	PC2	55 2
		PC3	56 3
TOUCH_CLK	15	PC4	57 4
RF_MISO	16	PC5	58 5
RF_MOSI	17	PC6	59 6
RF_SCK	18	PC7	60 7
		PD0/SCL	43 SCL
		PD1/SDA	44 SDA
		PD2/RXD1	45 RX1
		PD3/TXD1	46 TX1
		PD4	47
		PD5	48
		PD6	49
		PD7	50 LCD_RS
		PE0/RXD0	2 RX0
		PE1/TXD0	3 TX0
		PE2	4
		PE3	5 TOUCH_CS#
		PE4	6 TOUCH_IRQ
		PE5	7 TOUCH_DOUT
		PE6	8
		PE7	9 RF_IRQ
		PF0/AD0	97 0
		PF1/AD1	96 1
		PF2/AD2	95 2
		PF3/AD3	94 3
		PF4/AD4	93 4
		PF5/AD5	92 5
		PF6/AD6	91 6
		PF7/AD7	90 7
		PK0/AD8	89
		PK1/AD9	88
		PK2/AD10	87
		PK3/AD11	86
		PK4/AD12	85
		PK5/AD13	84
		PK6/AD14	83
		PK7/AD15	82
BEE_RST#	35	PL0	
TOUCH_DIN	36	PL1	
SIM_RST	37	PL2	
SIM_PWR	38	PL3	
		PL4	
		PL5	
		PL6	
		PL7	

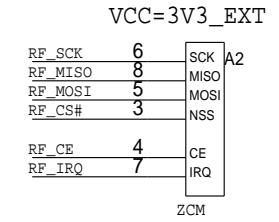
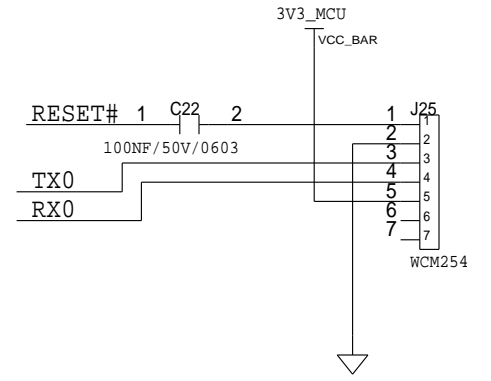
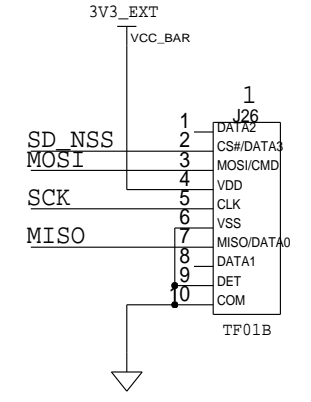
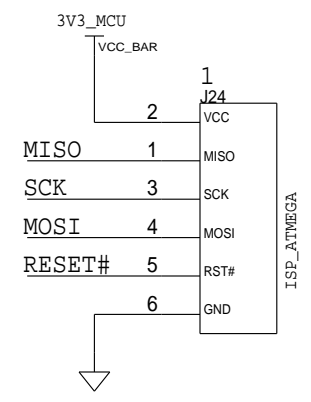
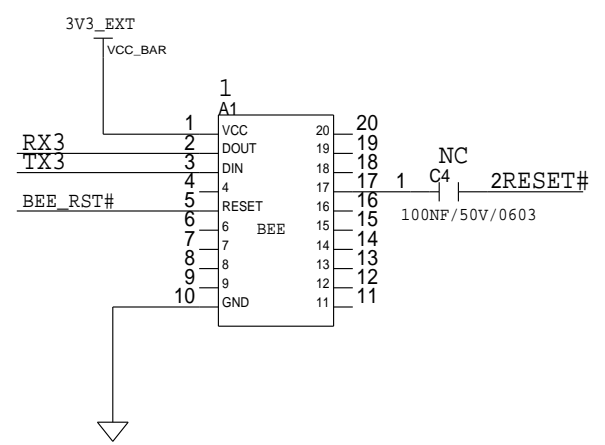
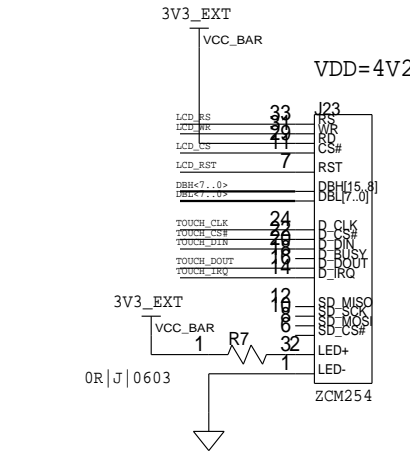
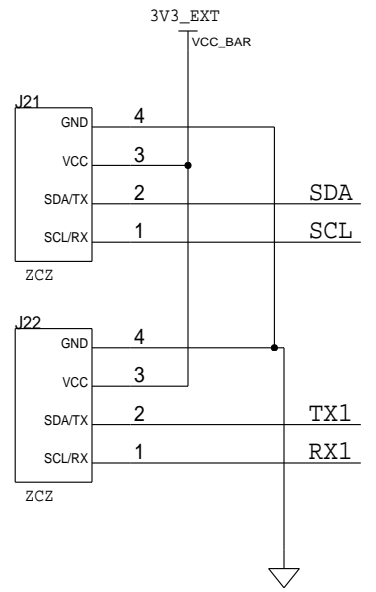
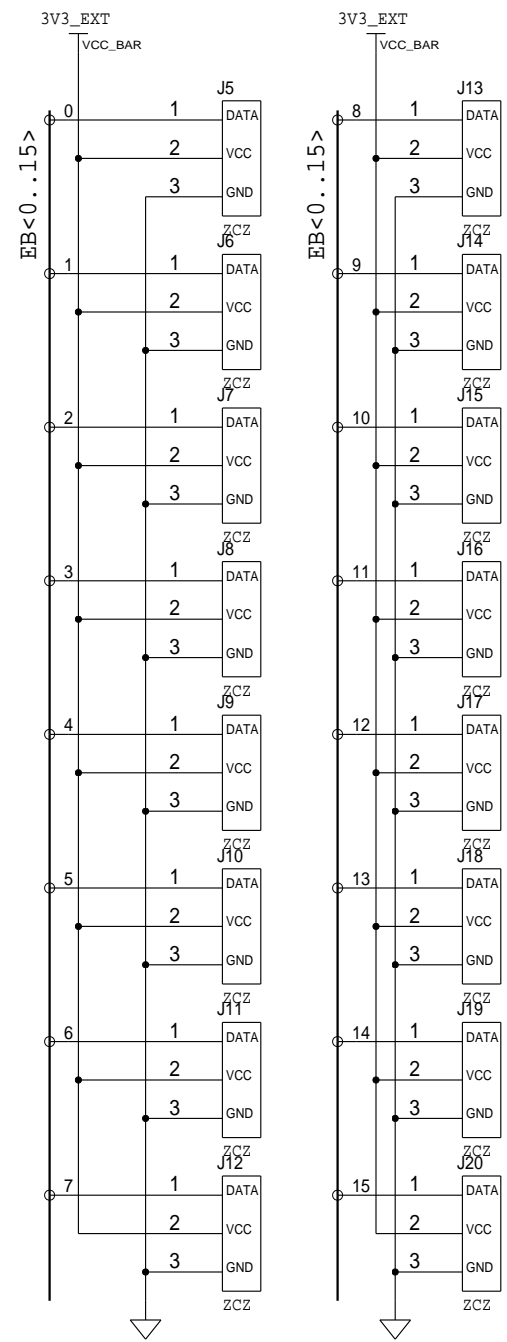


CONTRACT NO.			
APPROVALS	DATE		
DRAWN			
CHECKED			
		SIZE	DRAWING NO.
		B	
		SCALE	SHEET OF

ITEAD

REVISIONS				
ZONE	LTR	DESCRIPTION	DATE	APPROVED

D
C
B
A

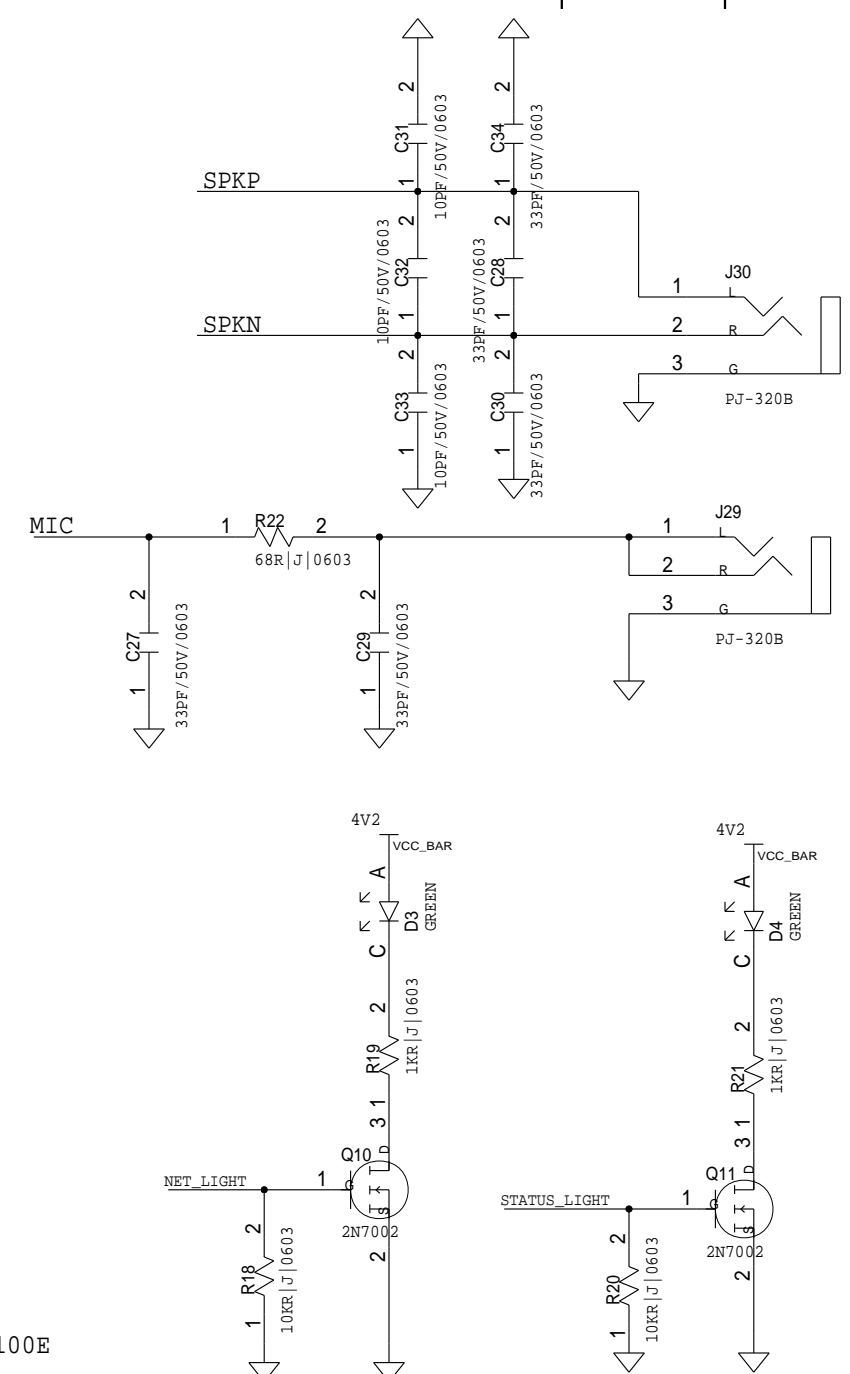
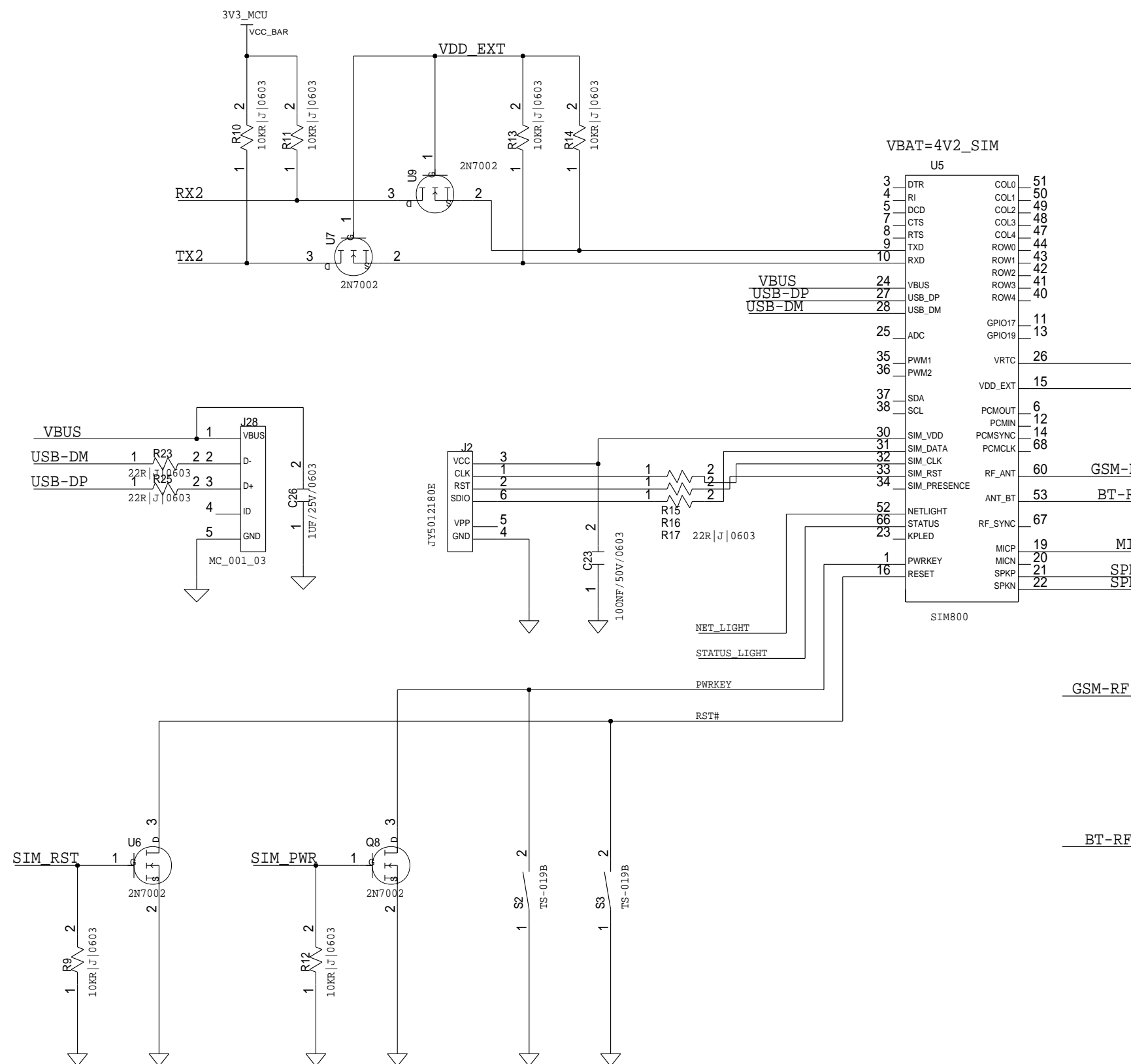


CONTRACT NO.			
APPROVALS	DATE		
DRAWN			
CHECKED			
		SIZE	DRAWING NO.
		CODE IDENT NO.	
		SCALE	SHEET OF

ITEAD

REVISIONS				
ZONE	LTR	DESCRIPTION	DATE	APPROVED

D
C
B
A

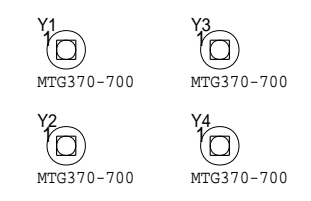
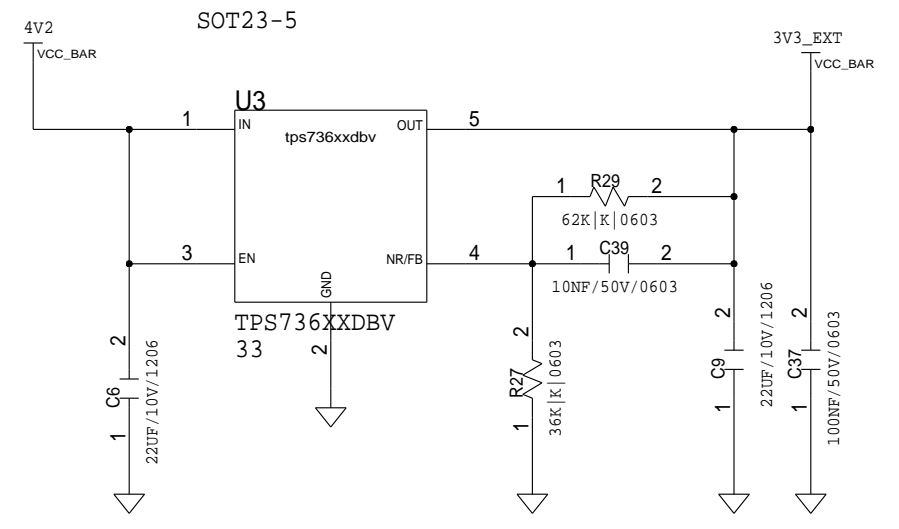
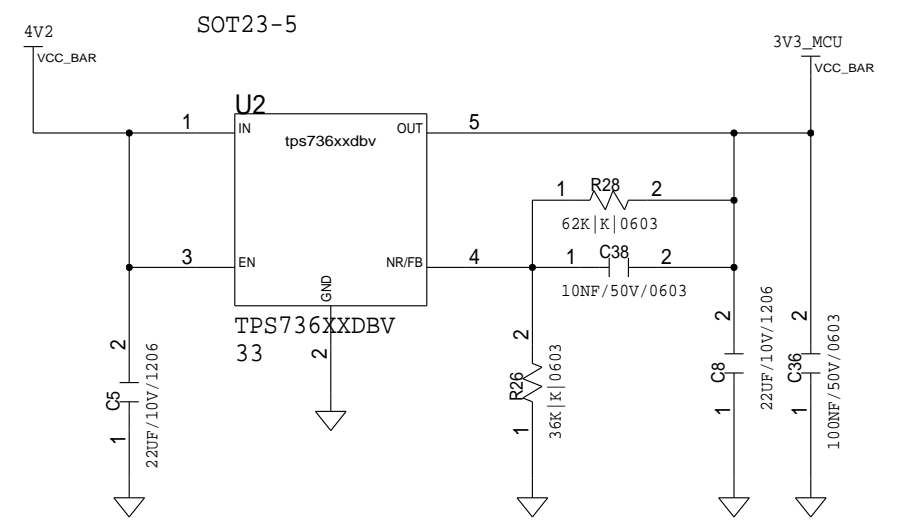
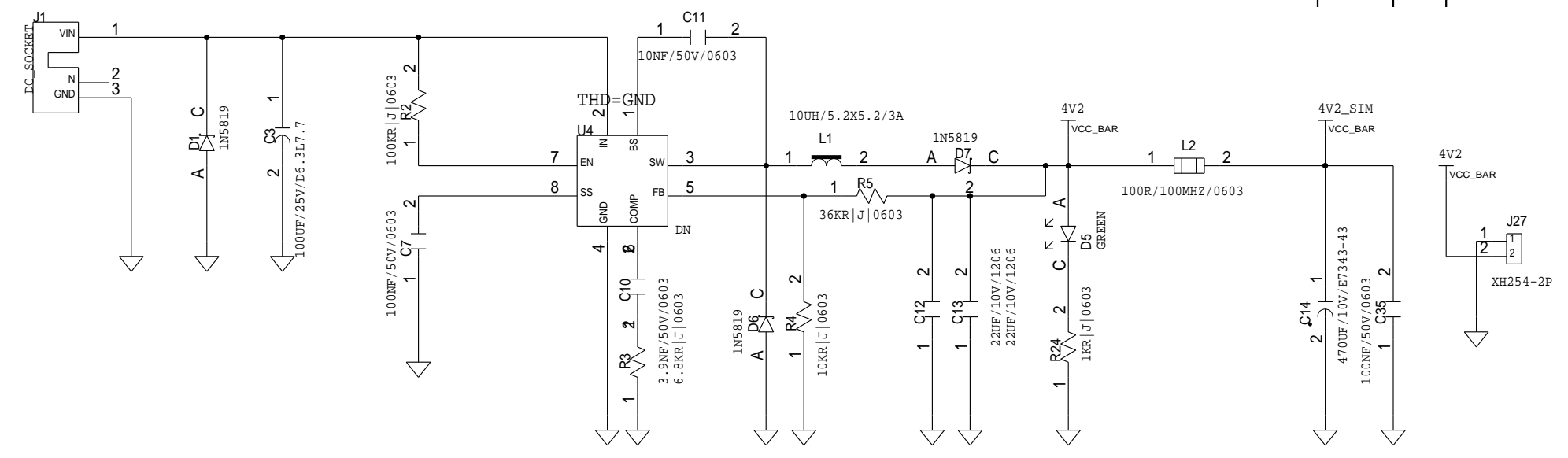


CONTRACT NO.			
APPROVALS	DATE		
DRAWN			
CHECKED			
		SIZE	DRAWING NO.
		CODE IDENT NO.	
		SCALE	SHEET OF

ITEAD

D
C
B
A

REVISIONS				
ZONE	LTR	DESCRIPTION	DATE	APPROVED



CONTRACT NO.			
APPROVALS	DATE		
DRAWN			
CHECKED			
		SIZE	DRAWING NO.
		B	
		SCALE	SHEET OF

ITEAD